



INDUSTRIAL LINEAR HIGHBAY 150W



SKU Code:
T757

18000
LUMENS

150W
WATTS

IP65

Description

This is a superior Linear LED High Bay which replaces traditional SON and metal halide fixtures up to 500W. With an Impact Protection Rating of IK10, our Linear High Bays also incorporates 5 Way Protection from the elements including water (IP65), dust, ice, heat and corrosion.

Features include super bright LED chips delivering an impressive 120Lm/Watt, allowing installation from 4m to 15m. The fitting is totally glass-free and shatter-proof, featuring PC lens which provides a uniform, and even light pattern, and makes it additionally suitable for food and drink product environments.

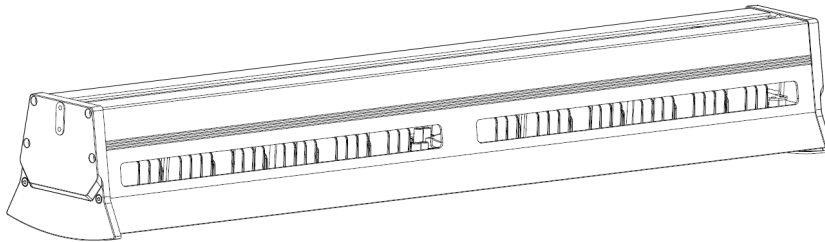
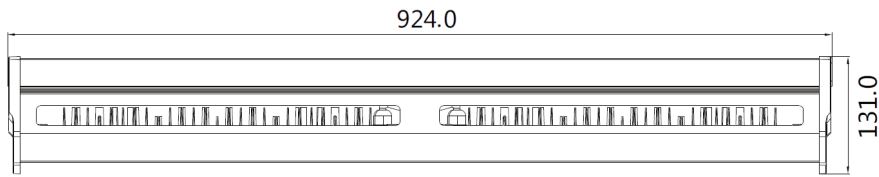
With sliding brackets for simple and easy installation, this Linear High Bay can be either surface-mounted or suspended. The perfect linear LED lighting choice for a wide range of applications including warehousing, logistics, manufacturing & production, refrigeration & cold storage areas, atria, sports & leisure.

Specifications

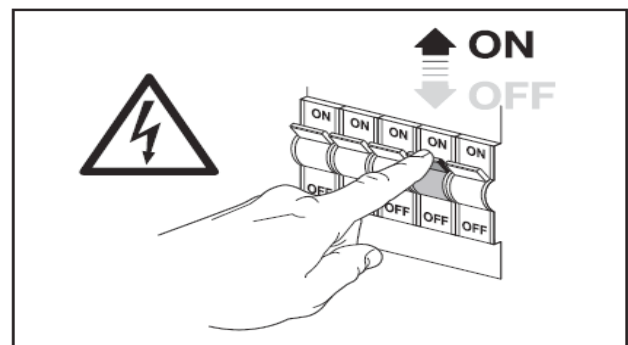
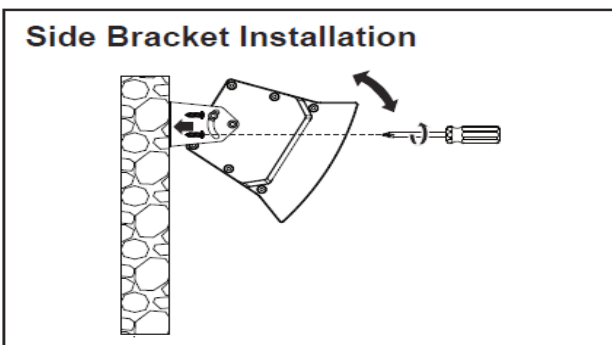
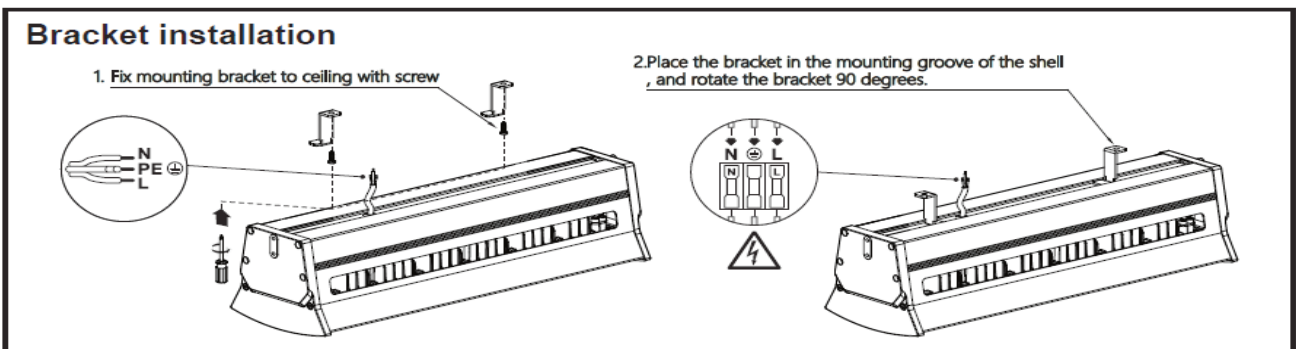
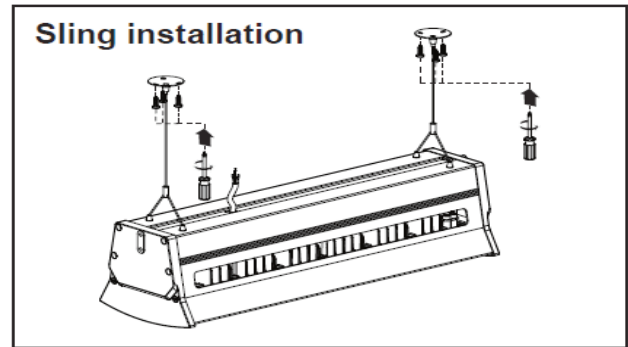
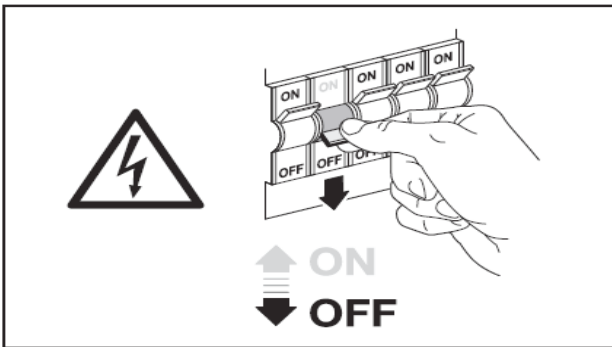
Model No	ZGE-TXGKD924W153-150LF
Size (Dimension)	924*131*157.4mm
Product Net Weight	5100g±50g
Housing Colour	Matte Black
Housing Material	ALUMINIUM ADC12, Chip Lens Plastic
LED Chips	2835 chips,28 strings 8parallel SMD
Output Cable	Conductor≥1.0mm ² ; wire length: ≥2000mm(Exposed); tail end: copper-clad
LED Driver	Linear Constant Current Power Supply
IP Grade	IP65
Environment temperature	working -20°C~+45°C; storage -30°C~+60°C
Environment humidity	working- 10%~75%; storage- 10%~90%
Dimming Type	Non Dimmable
Electric Parameters	
Input Voltage	AC220V-240V
Input Current	0.63A - 0.68A
Power (WATTAGE)	150W±10%
Power Factor	≥0.9
Frequency	50/60Hz
Optical parameters	
Color temperature (CCT)	6000K
Color rendering index(CRI)	≥70
Luminous Flux	18000±10% lm
Beam angle	120°
Chromaticity	SDCM<6
Working Life	Under nominal voltage input, working life is forced not lower than 25000h in 25°C±1°C

150-200W Product Dimension

150W-200W



Installation Diagram



Warning

This product may lead to a possible shock or fire hazard if not installed correctly. Products should be installed as per the instructions mentioned in this manual and also as per current electrical codes National Electric Code (NEC).

Caution

To avoid the risk of fire, electrical shock or injury, please note the following points.

1. It is advisable that the installation is done by a trained Electrician.
2. The lamp contains fragile accessories. Please handle it carefully.
3. Please turn off the power before installation or repairs. Risk of Electric shock!
4. This product works with High-Voltage AC Power supply. The product should be installed in place where it's difficult for people to touch when the product is lighted. The Wiring core should not be exposed and should have grounding protection.
5. The Temperature of the housing will rise after it is lighted. Please donot touch the product to prevent burns.
6. Do not exceed with Voltage Range to ensure long life of the power supply and the product.
7. This product is Waterproof and Moisture Proof but cannot be installed under water.
8. The product has 3 years of limited warranty. Physical damage not covered in warranty. Warranty does not cover incorrect installation which includes using not included accessories. The product needs cooling time after every usage of 12 hours a day. If used more than 12 hours then product life will be affected and warranty will be void.